

Model T-2

DO NOT INSTALL THE ANTENNA IN A PLACE WHERE ANY PART OF IT CAN COME INTO CONTACT WITH POWER LINES IN THE EVENT OF STRUCTURAL FAILURE OF ANY PART OF THE INSTALLATION OR IN THE COURSE OF NORMAL FLEXING AFTER INSTALLATION. **SUCH CONTACT CAN RESULT IN DAMAGE TO PROPERTY, BODILY INJURY, OR DEATH!**

DURING ASSEMBLY AND INSTALLATION TAKE CARE TO AVOID CONTACTING POWER LINES WITH THE ANTENNA OR ANY PART OF THE RADIAL OR GROUND SYSTEM. DO NOT RUN ANY WIRES NEAR POWER LINES.

TO AVOID A POSSIBLE SHOCK HAZARD CONNECT ALL STATION EQUIPMENT TO A GOOD EARTH GROUND. FOR GREATER SAFETY, DISCONNECT ALL STATION EQUIPMENT FROM A.C. POWER BEFORE PROCEEDING.

1. Install the tripod tower at the peak of the roof as shown. Use three lag screws per base plate to secure the tower firmly to the roof.

NOTE: The lag screws are best installed if a 1/8" starter hole is first made for each.

NOTE: Although leaks are not usually a problem, you may wish to place a 3 1/4" strip of Konnektor-Kote™ (supplied) under each base plate. In addition, you may wish cover the three base plates with sealant.

2. Loosen the set screws at the top and middle of the tower.

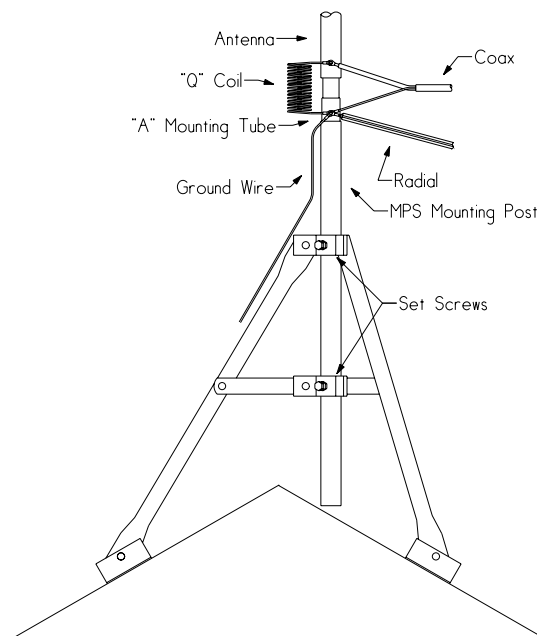
NOTE: When mounting antennas with a 1 1/8" mounting post or mast such as the HF6V-X or HF9V-X, it's recommended the MPS mounting post sleeve be used. The MPS may not be used for antennas such as the HF2V which have 1 1/4" double wall mounting posts.

3. Install the assembled antenna.

NOTE: If the roof is steep or if there is no one to assist you in raising the antenna, you may wish to install the antenna in the tripod lying on its side and walk or pull the antenna up, hinging it on two of the tripod's base plates.

4. Securely tighten both set screws and lock nuts.

WARNING: SAFETY FIRST! Although the antenna is not heavy, it may be hard to handle alone or in windy conditions. A safety belt should always be used when working above ground level.



PARTS LIST

- 1 V00232 Tripod 2'
- 9 V00231 1/4" x 2" Lag Screw
- .07 V00050 Konnektor-Kote (1 x 10")

Autoryzowany Przedstawiciel Bencher w Polsce:

abel & profit
centrum radiokomunikacji

INRADIO
ABEL & PRO-FIT Centrum Radiokomunikacji
ul. Puzzkina 80 92-516 Łódź Poland
tel. (+42) 649 28 28 fax: (+42) 677 04 71
e-mail: biuro@inRADIO.pl
internet: www.inRADIO.pl